



DAMPA® MARINE CEILING SYSTEMS

DAMPA® DCC 600

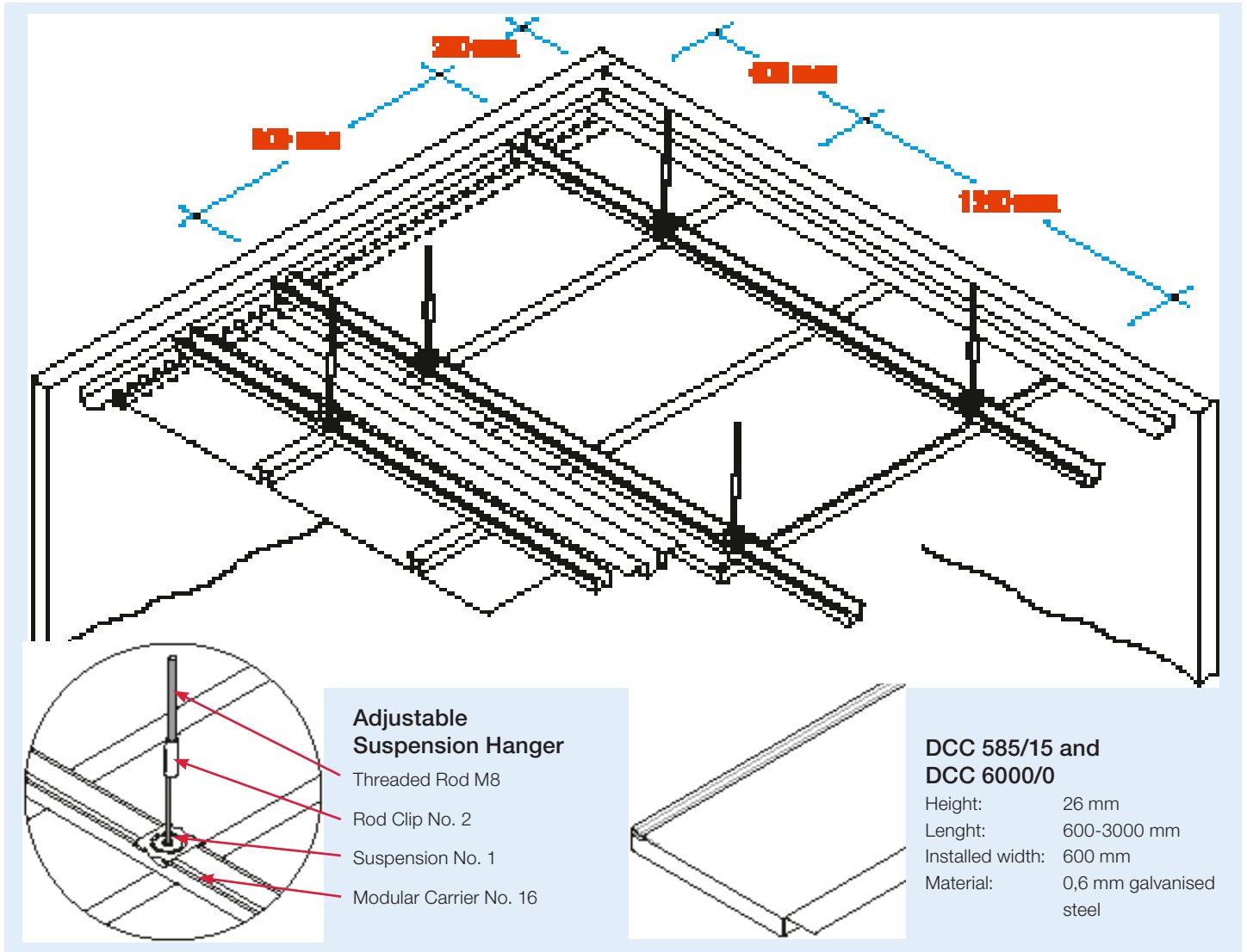
Fire rated seamless ceiling

DAMPA®

Quiet design since 1951

DAMPA® DCC 600

B-15 Fire Rated Suspended Marine Ceiling



PRODUCT DESCRIPTION

DAMPA® DCC 600 System is a B-15 Fire Rated, Suspended Marine Ceiling System consisting of linear ceiling elements. Fast and efficient installation is assured, as ceiling panels are supplied 'pre-cut' in accordance with customer drawings and specifications.

By use of only a few basic components a functional and aesthetically ceiling can be designed to suit all types of areas.

Fast and reliable delivery is a trademark of DAMPA's modern and flexible production facilities.

CEILING PANELS

DAMPA® DCC 600 Ceiling Panels are made from pre-painted 0.6 mm galvanised steel.

The panels can be supplied perforated or plain, and in any specified length, from 600 to 3000 mm as standard. Lengths under 600 mm down to 150 mm can be specified on request.

All panels are 26 mm deep and are supplied with end closings as standard.

DAMPA® DCC 600 has been tested in accordance with the latest IMO and SOLAS requirements regarding resistance to fire, flame spread and toxicity.

COLOURS AND SURFACES

The DCC 600 Ceiling Panels are stove-enamelled with non-toxic polyester paint prior to forming, resulting in a superior finish and excellent durability.

Standard Colour White

DAMPA's standard colour is:
Pure White matt No. 4747-2 similar to RAL 9010

Special Colours

Almost any colour is available on request in the following gloss levels, designated by code numbers 1, 2 or 5:

xxx-1, gloss 80 +/- 5

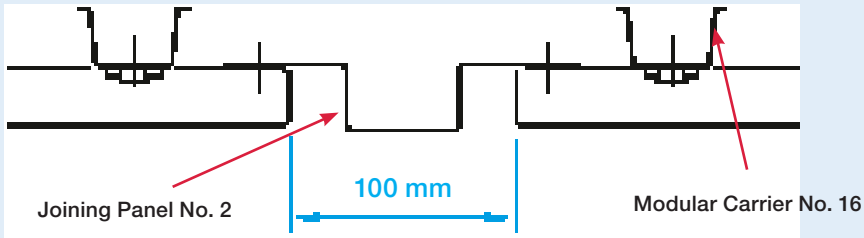
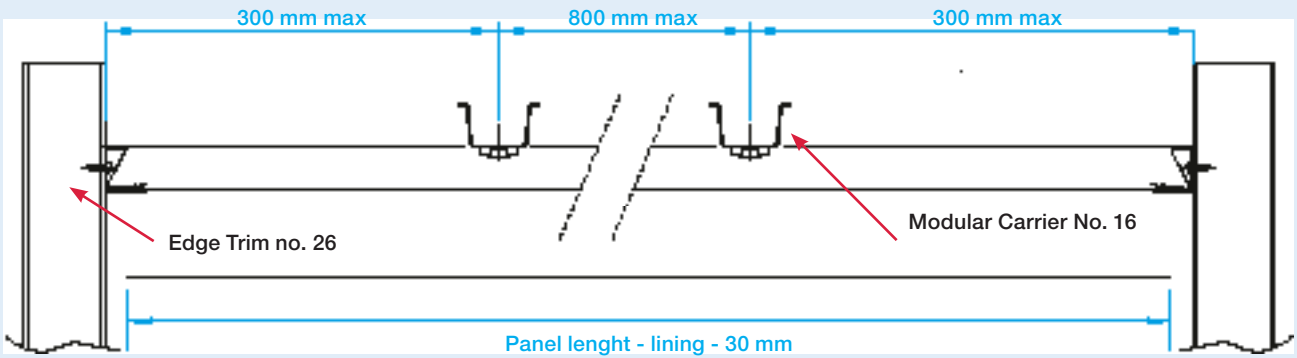
xxx-2, matt 10 +/- 3

xxx-5, anti-reflection/textura 0-7

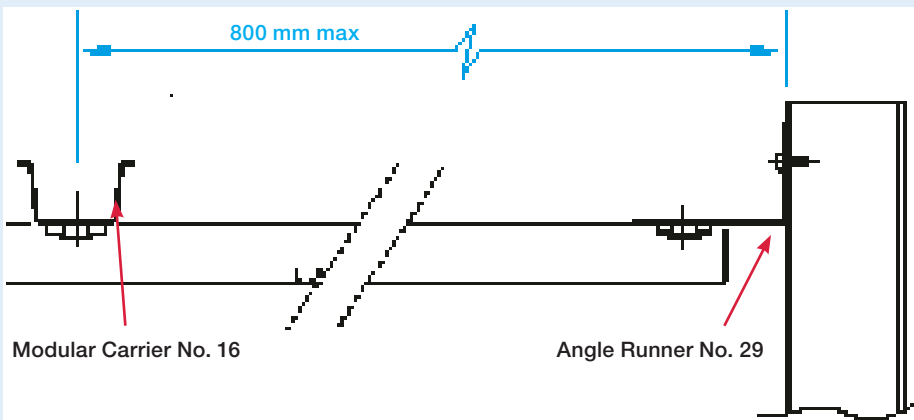
(developed by DAMPA for wheelhouse ceilings).

Special colour requests will be converted to the nearest NCS (Natural Colour System) colour code.

DCC 585/15 and 6000/0 installed with Edge Trim No. 26



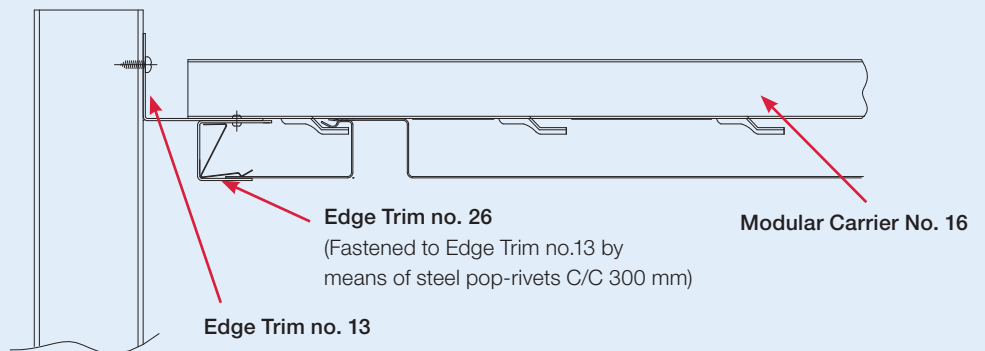
DCC 585/15
installed with
Joining Profile No. 2



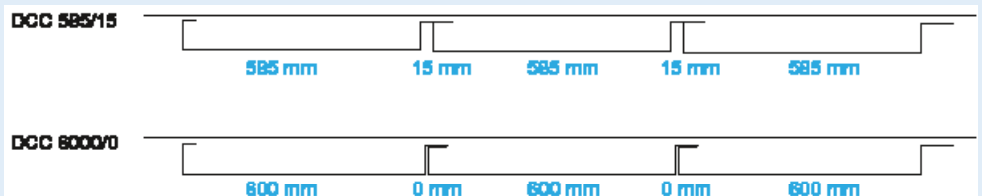
DCC 585/15 and
6000/0 installed with
Angle Runner No. 29

DCC 585/15 and 6000/0 installed with Edge Trim No. 13 + Edge Trim No. 26

Perimeter profiles are screwed
or pop-riveted to the bulk head
C/C 300 mm

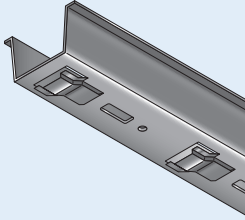


DCC 585/15 and 6000/0 dimension principles



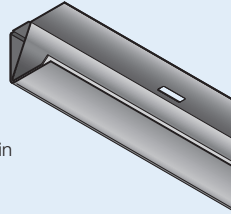
Modular Carrier No. 16

Height: 27 mm
 Width: 51 mm
 Length: 4000 mm
 Weight: 0.75 kg/lin.m
 Material: 1.0 mm galvanised steel



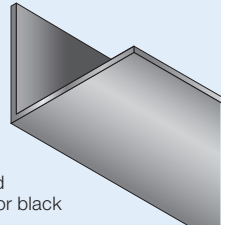
Edge Trim No. 26

Height: 27 mm
 Width: 25 mm
 Length: 4000 mm
 Weight : 0.80 kg/lin.m
 Material: 0.6 mm galvanised steel, painted in ceiling colour



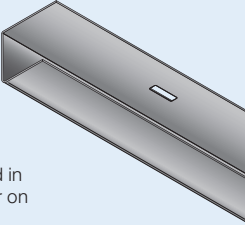
Edge Trim No. 13

Height: 40 mm
 Width: 55 mm
 Length: 4000 mm
 Weight : 0.80 kg/lin.m
 Material: 1.0 mm galvanised steel, stove-enamelled standard white or black



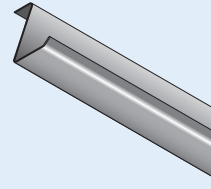
Edge Trim No. 27

Height: 27 mm
 Width: 25 mm
 Length: 4000 mm
 Weight : 0.65 kg/lin.m
 Material: 1.0 mm galvanised steel, painted in ceiling colour on both sides.



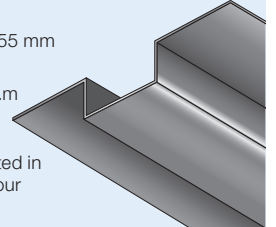
Clip Inlay No. 3

Height: 25.5 mm
 Width: 24.5 mm
 Length: 2000 mm
 Weight: 0.15 kg/lin.m
 Material: 0.3 mm galvanised steel



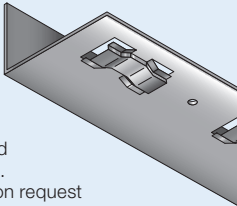
Joining Panel No. 2 (or 3)

Height: 29 mm
 Width: 55 + 50 + 55 mm
 Length: 3000 mm
 Weight: 1.05 kg/lin.m
 Material: 0.6 mm galvanised steel, painted in ceiling colour



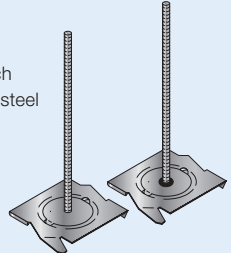
Angel Runner No. 29

Height: 40 mm
 Width: 64 mm
 Length: 4000 mm
 Weight: 1.05 kg/lin.m
 Material: 0.6 mm galvanised steel, standard white or black. Other colour on request



Suspension No. 1

Total height: 150 mm
 Weight: 0.05 kg/each
 Material: Galvanised steel

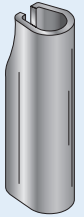


Suspension No. 3

No. 1 with vibration absorbing rubber bush

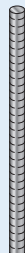
Rod Clip No. 2

Total length: 50 mm
 Weight: 0.015 kg/each
 Material: Galvanised steel



Threaded Rod M8

Diameter: 8 mm
 Length: 200, 300, 400, 500, 600 and 2000 mm
 Weight: 0.30 kg/lin.m
 Material: Galvanised steel



TECHNICAL SOLUTIONS AND SUPPORT

All the way through the project phase, from the design phase to the finished product, we support you with consultancy.

We combine the expertise of our own engineers, completing detailed drawings of your project, with the support from our experienced marine customer service team.

Fast and efficient installation is assured, as ceiling panels are supplied 'pre-cut' in accordance with customer drawings and specifications.

All ceiling panels are pre-cut to fit actual room dimensions. Factory manufactured start, end, stepped and diagonal panels and cut outs for luminaires, spot lights, speaker panels, smoke detectors, etc.

FUNCTIONALITY AND QUALITY

All DAMPA® Marine Ceiling Systems are manufactured to high standards within close tolerances to ensure accurate, fast and reliable installation.

DAMPA® Marine Ceiling Systems are produced according to DAMPA's Quality Management System.

CERTIFICATES AND APPROVALS

DAMPA's products are continuously tested according to international requirements, such as fire stability and integrity.

Certificates and approvals from leading classification societies have been achieved.

Our products are in compliance with:

- Marine Equipment Directive (Wheel Mark)
- IMO and SOLAS
- B-15 / A-30 approval

IDENTIFICATION AND HANDLING ON SITE

DAMPA meets your specific requirements of packaging.

DAMPA Panels are as standard supplied in pre-cut length according to specification to suit actual room dimensions.

Ceiling unit boxes are labelled with contents, ceiling unit length as well as deck and room number for easy identification and handling on site.

ACOUSTICS

DAMPA's metal ceilings ensure an exceptional acoustic environment, adjustable to varying demands on reverberation times. To reduce the general sound level, the perforated ceiling units are the most effective solution.

DESIGN AND INSPIRATION

Metal's inherent flexibility means that the sky is the limit for your ceiling design.

Whether you are working in steel or aluminium, there is an endless array of options available at your disposal, ranging from design, through dimensions and surfaces.

DAMPA has more than 3,000 international marine references for inspiration to draw on.



DAMPA®

DAMPA, DK-5690 Tommerup, Tel.: +45 63 76 13 00, damp@dampa.dk, www.dampa.com