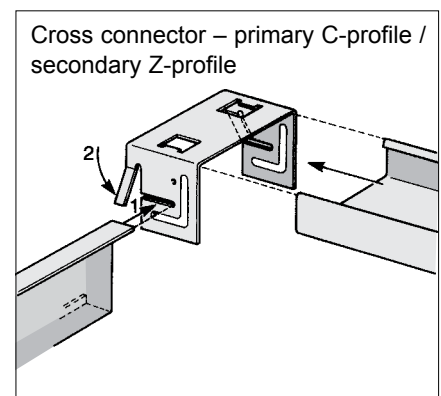
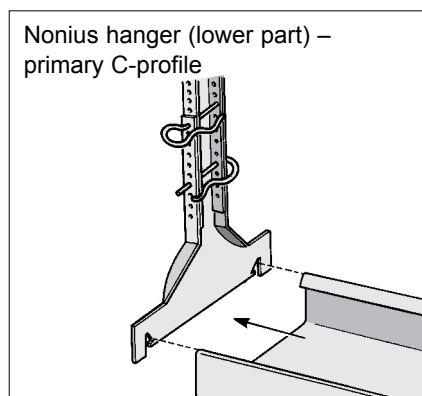
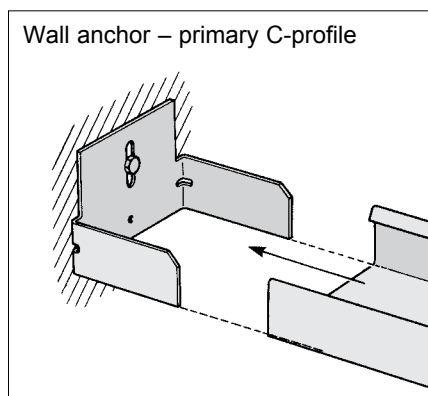
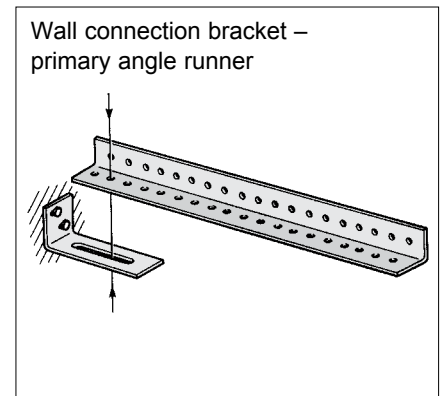
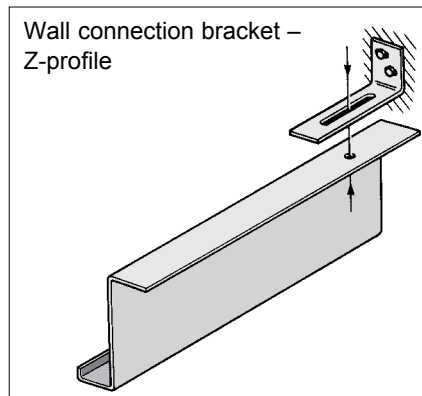
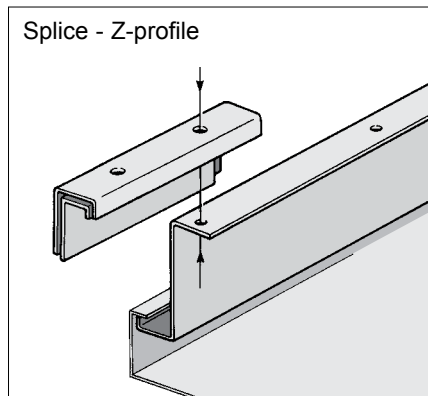
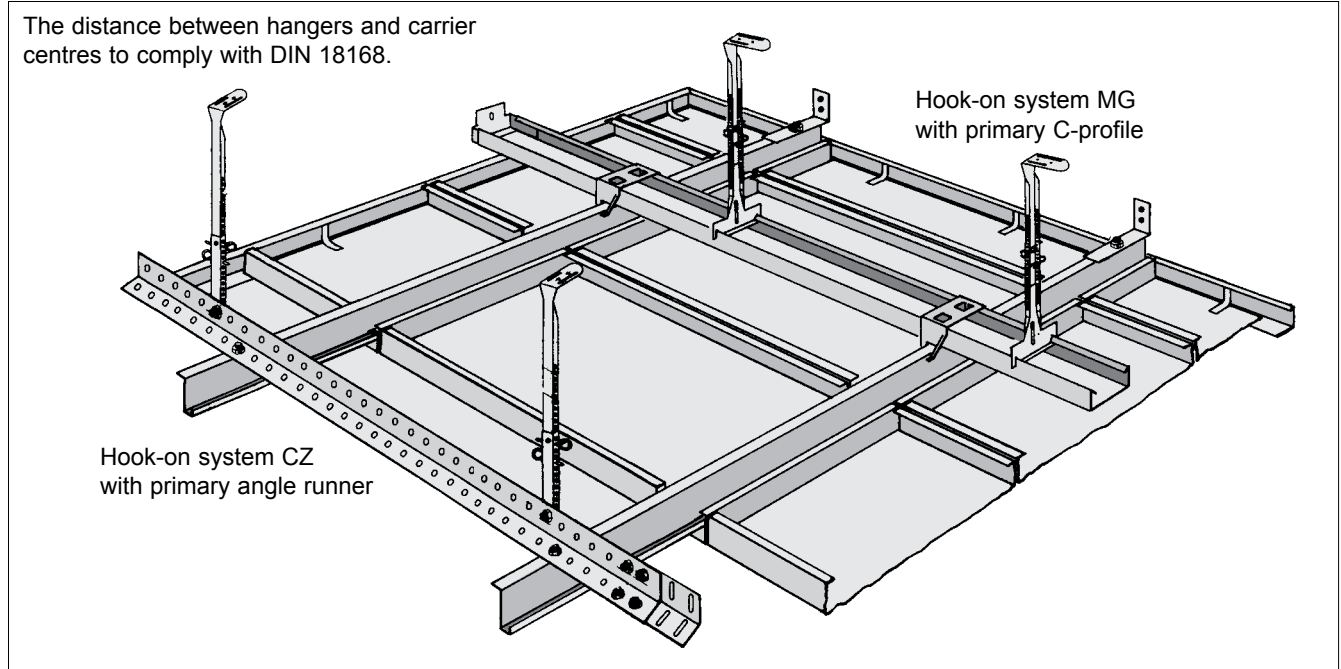


## Hook-on system CZ / MG



## Component details for Hook-on system CZ and MG

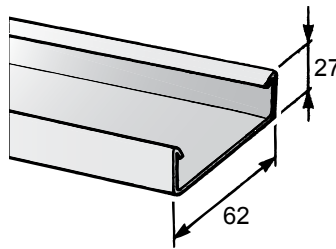
Concealed hook-on systems can easily be combined with other suspension systems.

The suspension system consists of secondary Z-profiles and primary cross carriers (angle profiles CZ or C-profiles MG); together they guarantee a sturdy construction.

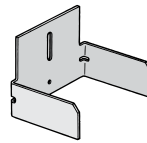
Rigid nonius hangers (upper and lower part) best support the hook-on ceiling system. The distance between hangers and carrier centres to comply with DIN 18168.

The ceiling panels can be installed without joints or with, using either neoprene gasket tape (3 mm) or spacer buttons (5 mm). Joints facilitate demounting. Chilled ceiling panels can also be made more accessible with the use of either hanger hooks or cables (See leaflets 4.1.5 and 4.1.6).

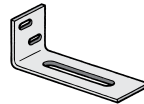
**Primary C-profile (MG030G500H)**  
Material: 0.75 mm galvanized steel / L = 4000 mm



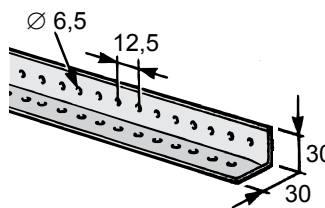
**Wall anchor for primary C-profile (MG033X500H)**  
Material: galvanized steel



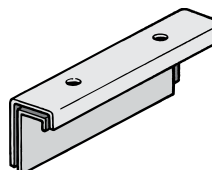
**Wall connection bracket for Z-profile/primary angle profile (MG042X500H)**  
Material: galvanized steel



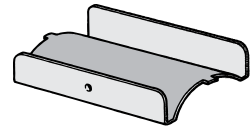
**Primary angle runner**  
Material: galvanized steel  
L = 4000 mm



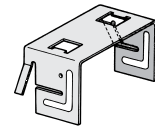
**Splice for Z-profile (MG041X500H)**  
Material: galvanized steel



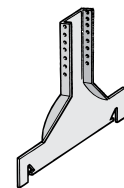
**Splice for primary C-profile (MG031X500H)**  
Material: galvanized steel



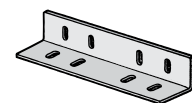
**Cross connector for primary C-profile secondary Z-profile (MG032X500H)**  
Material: galvanized steel



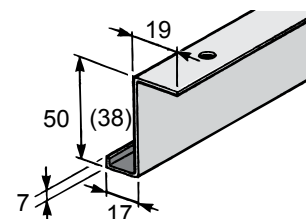
**Nonius hanger (lower part) for primary C-profile (MG034X500H)**  
Material: galvanized steel



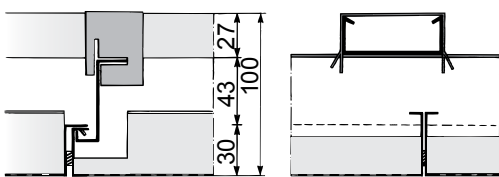
**Splice for angle runner**  
Material: galvanized steel



**Z-profile (MG040G500H)**  
Material: galvanized steel



Cross section ceiling type MG with primary C-profile  
Execution with or without joints



Cross section ceiling type CZ with primary angle runner  
Execution with or without joints

