

DAMPA® MARINE CEILING SYSTEMS

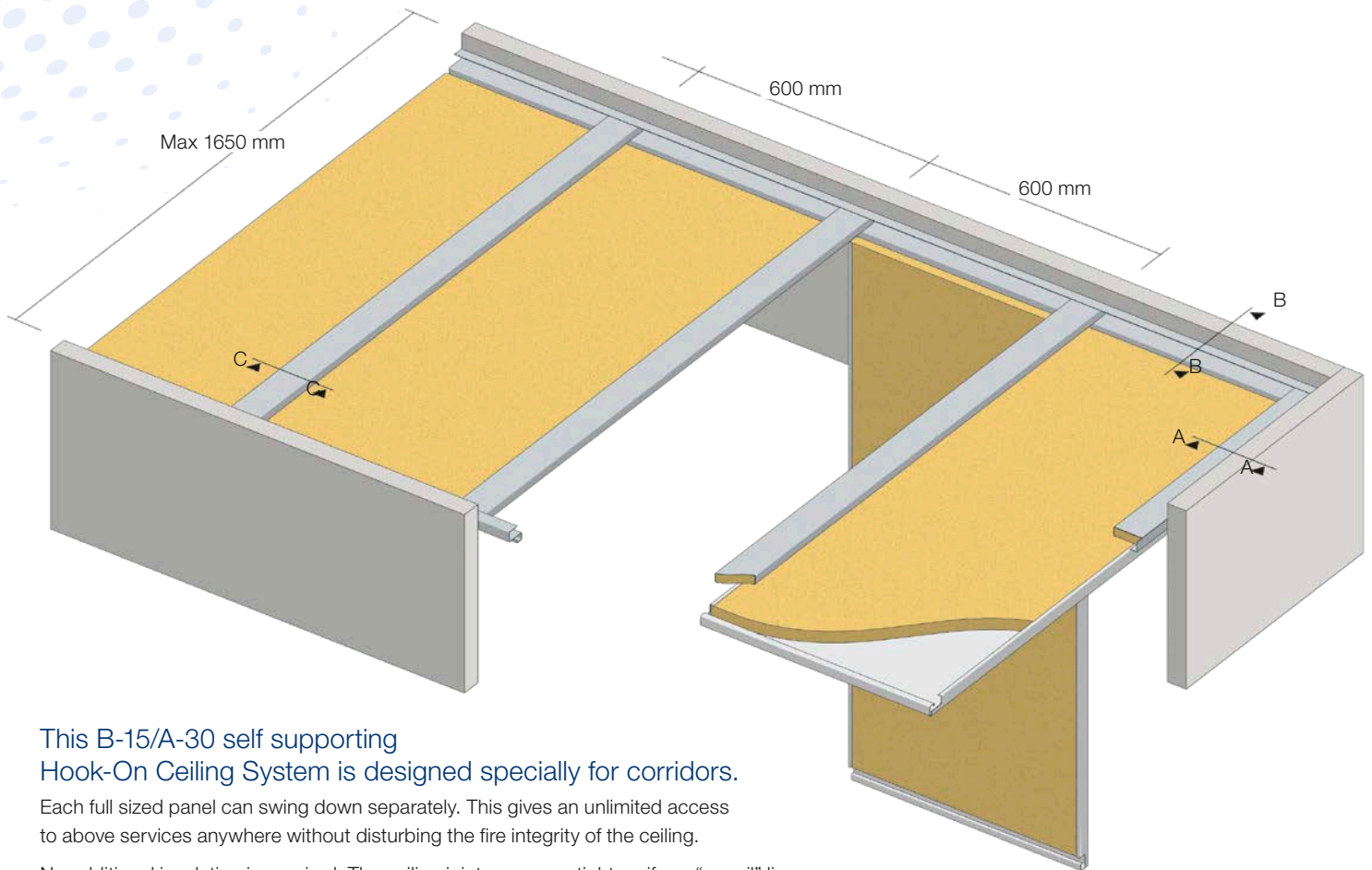
# DAMPA® HOOK-ON

Fire rated seamless ceiling with unlimited access

**DAMPA®**  
Made in Denmark

# DAMPA® Hook On

## FIRE & SAFETY WITH SWING DOWN ACCESS



This B-15/A-30 self supporting Hook-On Ceiling System is designed specially for corridors.

Each full sized panel can swing down separately. This gives an unlimited access to above services anywhere without disturbing the fire integrity of the ceiling.

No additional insulation is required. The ceiling joint ensures a tight, uniform “pencil” line connection with all panels in flat alignment forming a distinctively plane and neutral ceiling area. Widths of 300 or 600 mm and lengths up to 1600 mm are available.

### Basic installations principles

This self supporting ceiling system consists of only three basic components: Ceiling panels, angle runners and cover profiles.

The simplicity of the system ensures a quick and easy installation.

The 600 mm panels span up to 1600 mm and are designed to swing down both ways and separately.

Angle runners are identical at both sides of the corridor. Cover profiles ensures the fire integrity at the panel joints. Ceiling panels and cover profiles are both supplied fully pre-insulated and in pre-cut lengths to fit the width of the corridor. No additional insulation is required.

DAMPA® Hook-On Panels will carry the weight of smaller and lighter items such as smoke detectors, spotlights etc.

### Swing Function Access to Services Above

Each full sized ceiling panel can swing down separately along both sides of the corridor walls. This gives an unlimited access to above services anywhere in the corridor without disturbing the fire integrity of the ceiling.

### General Ceiling Lay-out Principle

Ceiling panels are always to run crosswise to the corridor.

Angle Runners No. 12 are installed along both sides of the corridor.

Pre-insulated Cover Profiles No. 12 are inserted above each ceiling joint.

Ceiling panels are normally installed progressively, starting at one end of the corridor.

Technical ceiling panels with integrated items can be installed first and larger ceiling sections in between left out to be installed later.

Cover profiles can also be left out in sections to be installed later – or can easily be demounted and re-instated if required.

### Calculating Lengths

The lengths of the Hook-On Ceiling Panels are determined by the internal width, bulkhead to bulkhead minus 50 mm.

This will provide a closed shadow recess of nominally 25 mm along the perimeter which will absorb building tolerances.

The lengths of the Cover Profiles No. 12 are determined by the internal width of the corridor, bulkhead to bulkhead minus 20 mm.

### Certificates and Approvals

DAMPA's products are continuously tested according to international requirements, such as fire stability and integrity.

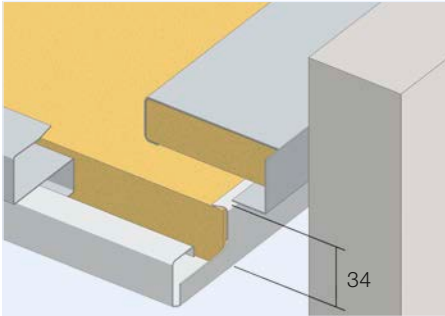
Certificates and approvals from leading classification societies have been achieved.

### Our products are in compliance with:

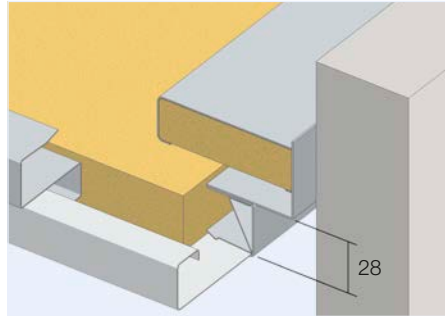
- Marine Equipment Directive (Wheel Mark)
- IMO and SOLAS
- B-15 / A-30 approval



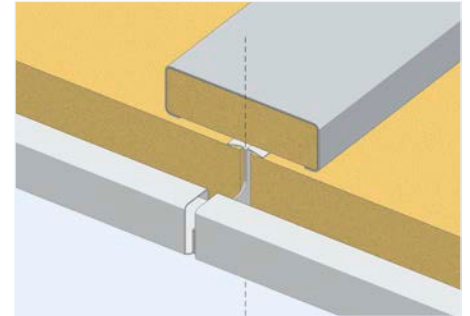
# Installation principles



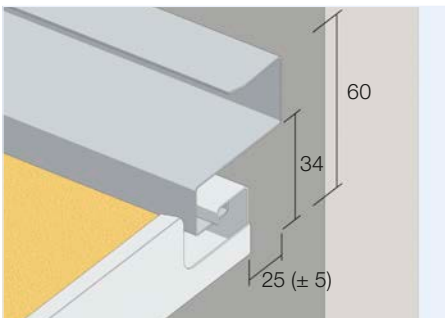
A - A Full size start panel



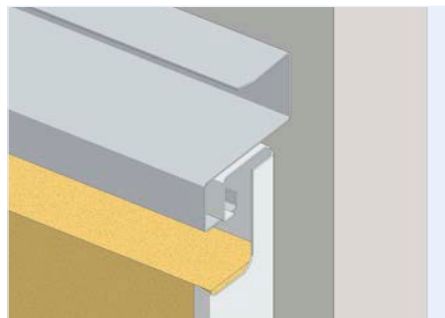
A - A Ending with ceiling panel cut to fit



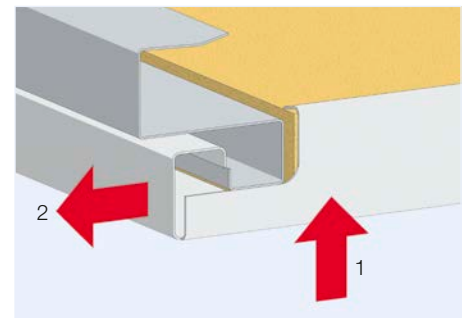
C - C Cover profiles to be centered over the pencil line joint



B - B Closed 17 mm +/-5 mm shadow recess along the perimeter

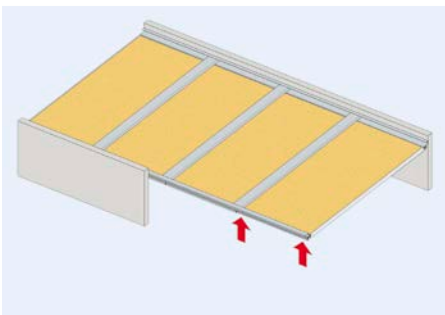


B - B Panel hanging in perimeter profile

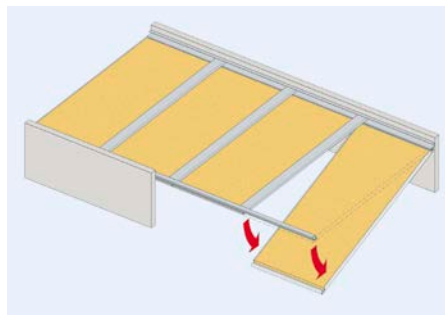


Access to installations above by dismantling of full size panels

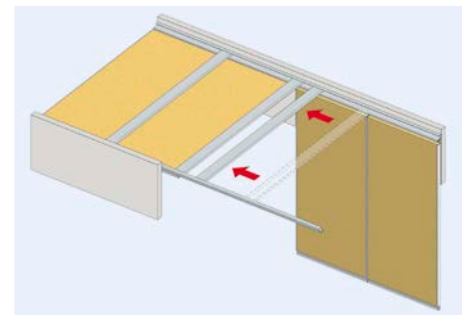
## ALL FULL SIZE PANELS FUNCTION AS ACCESS PANELS.



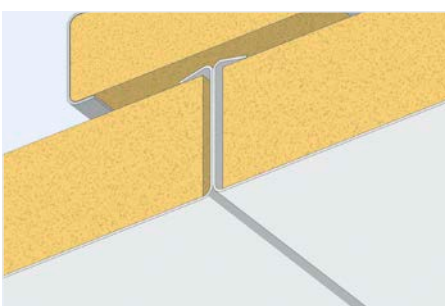
Although this ceiling system is originally designed for large cruise liners and passenger vessels, it is equally suitable for all types of merchant vessels as well as navy and offshore installations, where easy and unlimited access to services above is essential.



Each panel can swing down individually anywhere in the ceiling area to obtain free access to the services above without disturbing the fire integrity of the ceiling. No additional insulation is required.



Should larger openings in the ceiling be required more panels can be opened and the cover profiles pushed to the side as illustrated.



### Cutouts

Panels with factory formed cutouts can be supplied to specification. For example, circular cutouts to suit down-lights, speaker grilles and smoke detectors, and rectangular cutouts to suit items such as non-modular luminaires.

### Light

Integrated, fire rated light fittings, with or without emergency light, has been part of our product range for many years.

A growing number of LED solutions have been added to our product range and many more will come.

### Execution

Plain, square edged with pencil line joints

## BASIC TECHNICAL INFORMATION

Module:	300 mm - 600 mm
Ceiling panel length:	800 - 1600 mm as standard
Material:	0.6 mm steel
Execution:	Plain, square edged with pencil line joints
Fire classification:	B-15/A-30
Fire insulation:	Fully integrated
Weight incl. perimeter profiles:	12.7 kg/m <sup>2</sup> , based on a 1 m wide corridor
Noise reduction:	Calculated room-to-room 45 dB
Installation principle:	Free span for widths up to 1650 mm
Construction height:	60 mm
Installation-/demounting height:	No additional height required
Demountability:	Individually demountable
Swing function:	Each full panel function as an access panel
Fire integrity:	Not influenced by the swing function
Integration of other items:	Cover profiles will support normal integrated items
Normal stock colour:	DAMPA catalogue colour Pure White matt No. 4747-2 (RAL 9010).

## PACKING AND DELIVERY

Fast and reliable delivery is a trademark of DAMPA's modern and flexible production facilities.

### Ceiling Panels

Ceiling panels in pre-cut lengths according to actual corridor sections are generally supplied per deck in non-returnable approx. 800 mm wide crates suitable for fork lifting.

Smaller quantities in non-returnable cardboard cartons.

Cover profiles in pre-cut lengths are packed per length and supplied in bundles.

Angle runners are supplied in standard lengths in bundles as bulk.

### Truck Delivery / Containerized Shipment

All materials are packed to suit both truck delivery and containerized shipment.

**All materials should be stored under cover in a dry, ventilated area.**

### Identification and Handling on Site

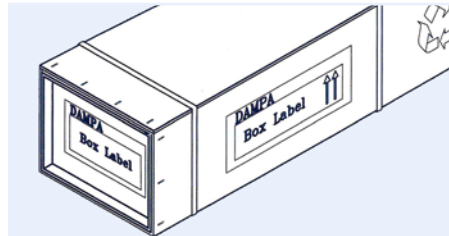
To simplify identification and handling on site, panel crates and boxes can be marked with specific deck location.

### Marking & Labelling Concept

All information required for easy identification and efficient handling of ceiling panel boxes can be found on the large labels, which are glued to the box side and the box end cover.

The labels provide information such as deck and room numbers and box content.

DAMPA's Marking and Labelling Concept can provide a variety of information to suit specific needs.



### Engineering Expertise

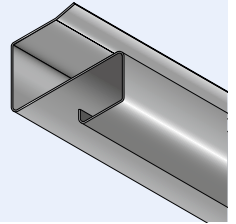
DAMPA's engineering service includes assistance with design implementation, ceiling layout drawings and a full material specification based on an exchange of AutoCAD accommodation drawings by email.

Please contact DAMPA with your possible requirements.

## COMPONENTS

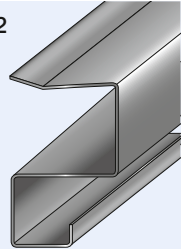
### Angle Runner No. 12

Height: 42 mm  
Width: 45 mm  
Length: 2500 mm  
Weight : 0.75 kg/lin.m  
Material: 0,6 mm galvanised steel, painted black



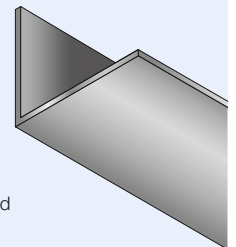
### Angle Runner No. 1/2\_12

Height: 45 mm  
Width: 28.4 mm  
Length: 2500 mm  
Weight : 0.63 kg/lin.m  
Material: 0.75 mm galvanised steel, painted black



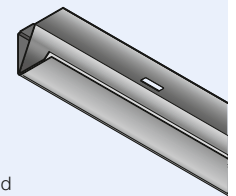
### Edge Trim No. 13

Height: 40 mm  
Width: 55 mm  
Length: 4000 mm  
Weight : 0.80 kg/lin.m  
Material: 1.0 mm galvanised steel, stove-enamelled black



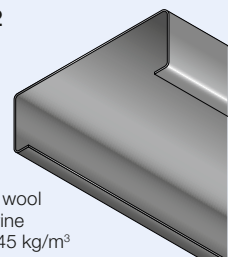
### Edge Trim No. 26

Height: 27 mm  
Width: 25 mm  
Length: 4000 mm  
Weight: 0.80 kg/lin.m  
Material: 0.6 mm galvanised steel, stove-enamelled painted in ceiling colour



### Cover Profile No. 12

Height: 23 mm  
Width: 75 mm  
Length: 800-1430 mm  
Weight: 0.98 kg/lin.m  
Material: 0.6 galvanised steel  
Inlay: 25 mm mineral wool  
Type: Rockwool, marine Sea Rox 740 / 45 kg/m<sup>3</sup>



# DAMPA®

DAMPA, DK-5690 Tommerup, Tel.: +45 63 76 13 00, [dampa@dampa.dk](mailto:dampa@dampa.dk), [www.dampa.com](http://www.dampa.com)